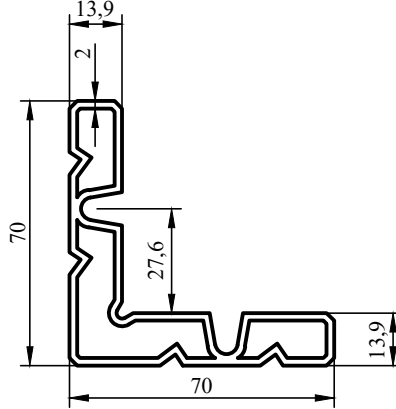


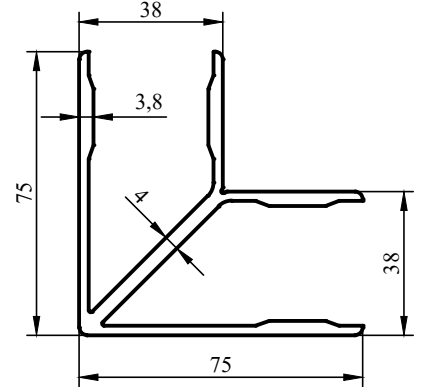
4495

6,100 kg/m



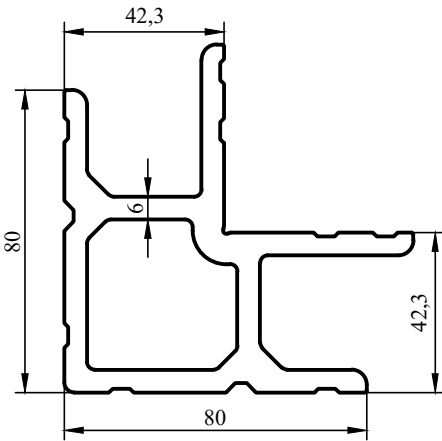
13345

1,685 kg/m



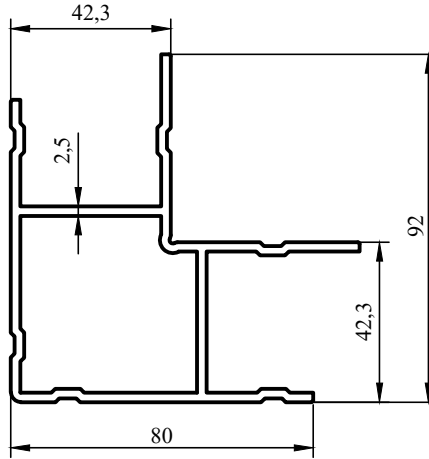
R-38-42

2,280 kg/m



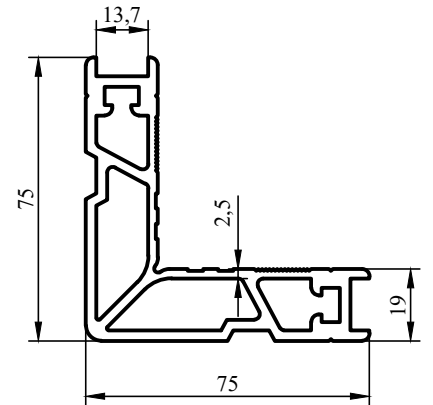
4372

5,265 kg/m



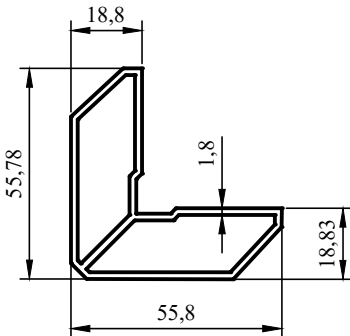
4373

2,290 kg/m



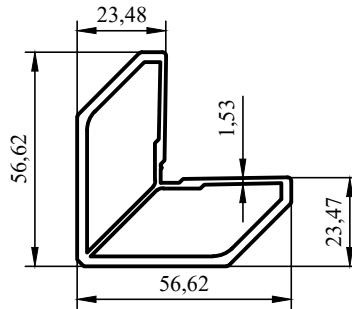
R-223

2,690 kg/m



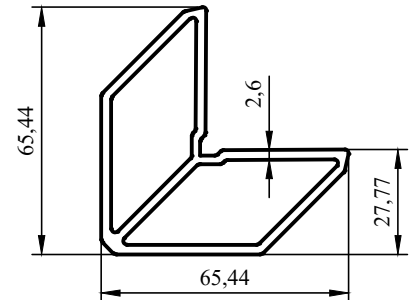
4478

1,087 kg/m



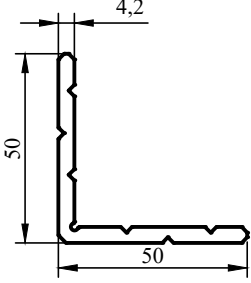
R-222

1,340 kg/m



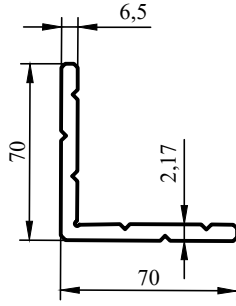
4496

1,770 kg/m



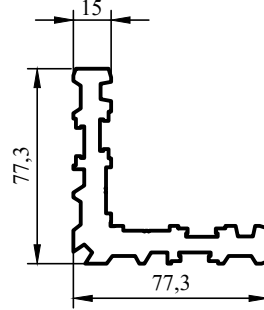
12028-45

1,030 kg/m



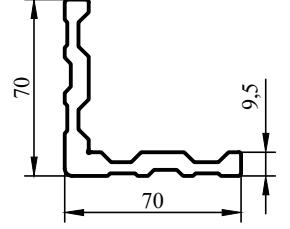
4486

2,265 kg/m



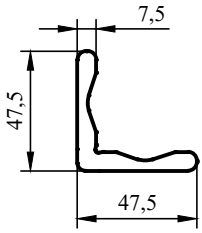
4201

4,015 kg/m



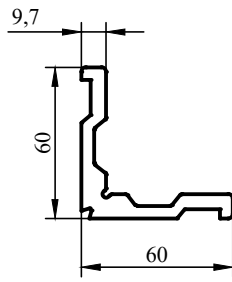
ST-03

2,528 kg/m



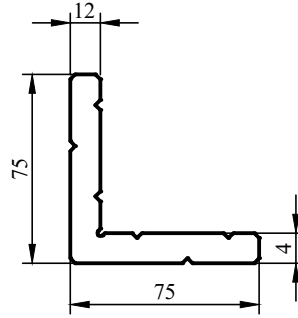
4497

1,497 kg/m



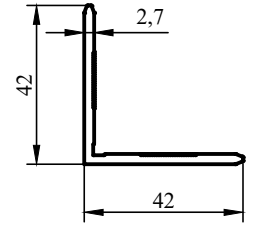
4499

2,017 kg/m



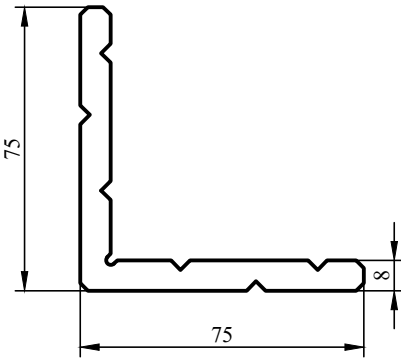
4494

4,385 kg/m



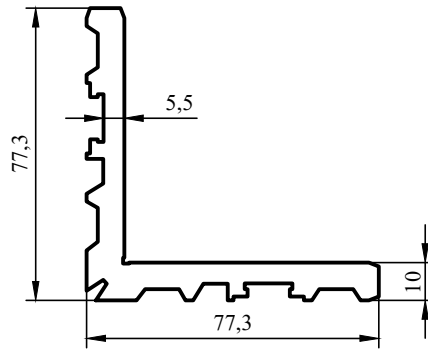
4498

0,570 kg/m



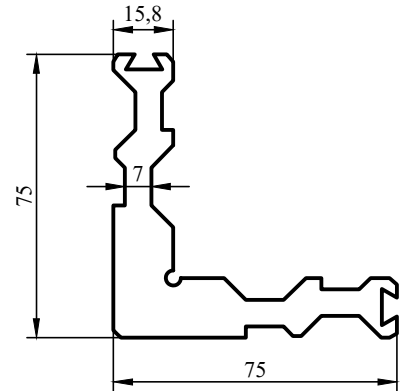
4493

2,940 kg/m



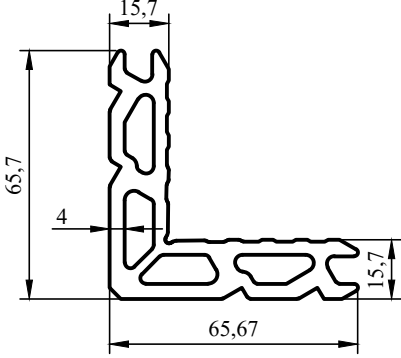
4205

2,990 kg/m



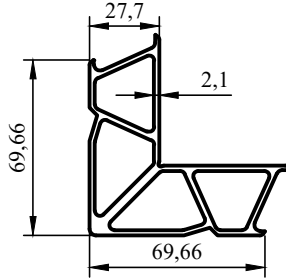
4491

4,170 kg/m



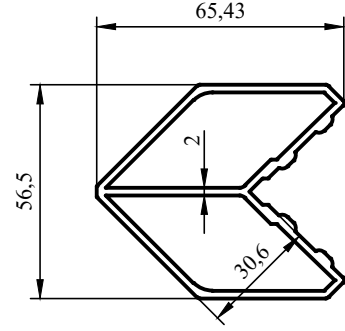
14032

2,945 kg/m



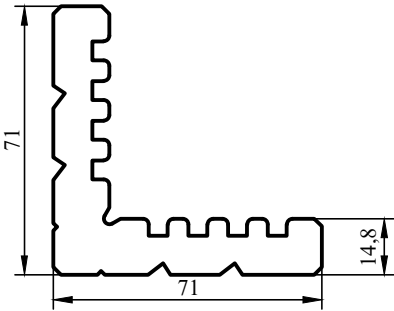
4484

2,745 kg/m



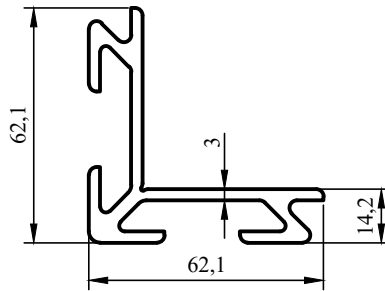
4487

1,440 kg/m



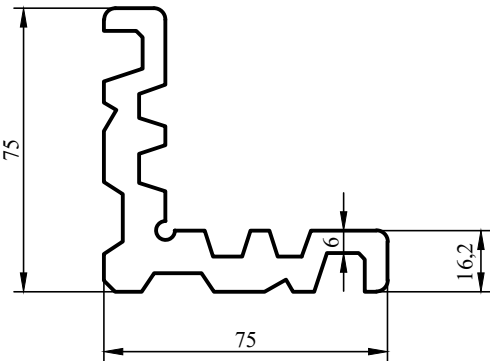
4370

4,450 kg/m



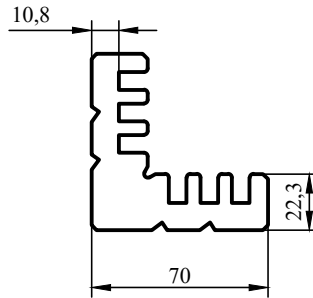
7062

1,750 kg/m



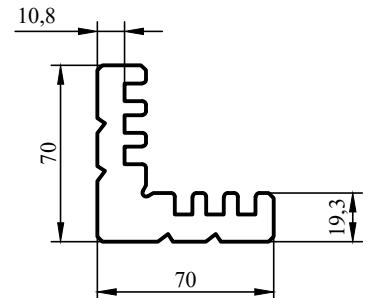
4490

3,975 kg/m



4970

5,816 kg/m



4485

5,187 kg/m